



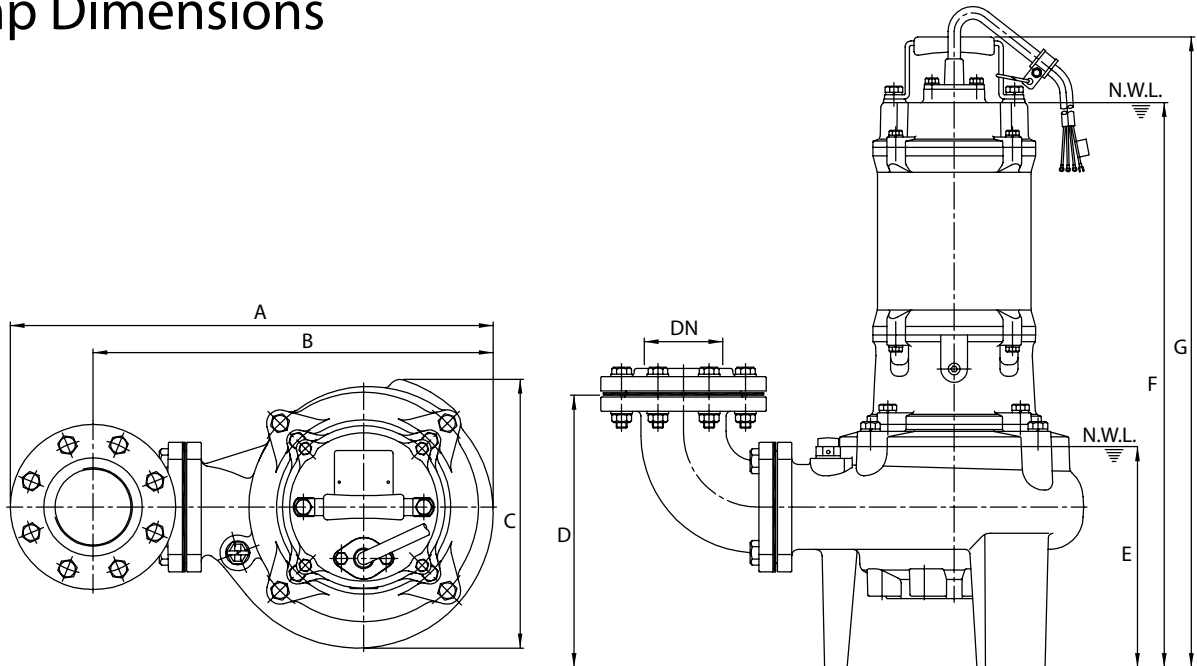
Dimensional Drawing

SNC Models

01/15/2005

SNC-4NE-XX-30; SNC-4NE-XX-50

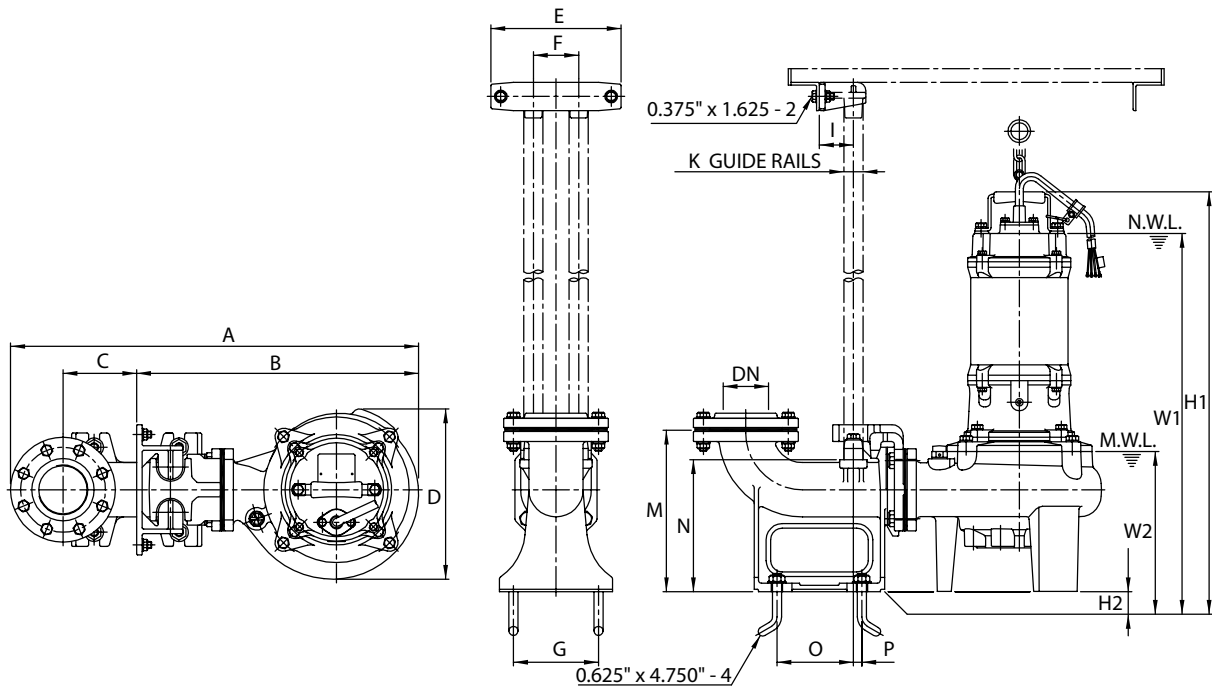
Pump Dimensions



TYPE	DN	A	B	C	D	E	F	G
SNC-4NE-XX-30	4	22.00	17.88	11.88	12.00	9.88	24.00(26.63)	27.00(29.63)
SNC-4NE-XX-50	4	22.00	17.88	11.88	12.00	9.88	24.88	27.75

Single phase dimensions ()
 N.W.L.: Normal water level
 M.W.L.: Minimum water level

Easy Lift GRS - Guide Rail System Dimensions



TYPE	DN	A	B	C	D	E	F	G	I	K	M	N	O	P	W1	W2	H1	H2
SNC-4NE-XX-30	4	30.25	19.63	6.50	11.88	9.00	3.13	6.75	2.38	1.25	11.38	9.38	6.13	0.63	24.75(27.38)	10.50	27.63(30.25)	0.63
SNC-4NE-XX-50	4	30.25	19.63	6.50	11.88	9.00	3.13	6.75	2.38	1.25	11.38	9.38	6.13	0.63	25.50	10.50	28.50	0.63

All dimensions are in inches unless otherwise noted.